

# BCAP0350 E270 T11



## FEATURES AND BENEFITS

- Round, radial mounting design for easy surface mount assembly
- Over 500,000 duty cycles
- 10 year life capability
- Ultra-low internal resistance

## APPLICATIONS

- Industrial power back up
- Portable power tools
- Renewable energy systems
- Short term UPS (uninterruptible power supply) and telecom applications

## PRODUCT SPECIFICATIONS

CAPACITANCE	
Nominal capacitance	350 F
Capacitance tolerance	+20% / -0%
VOLTAGE	
Rated voltage	2.7 V DC
Surge voltage	2.85 V DC
Maximum operating voltage	2.7 V DC
Isolation voltage	N/A
RESISTANCE	
ESR, DC	3.2mΩ
Resistance tolerance	Max.
Thermal resistance (Rth)	10.9C/W
TEMPERATURE	
Operating temperature range	-40°C to +65°C
Storage temperature range	-40°C to +70°C
Temperature characteristics	
Capacitance change % at 25°C	± 5%
Internal resistance % at 25°C	± 150%
POWER	
Pd	4,300 W/kg
ENERGY	
E <sub>max</sub>	5.62 Wh/kg
LIFESPAN	
Endurance After 1,000 hours application of rated voltage at 65°C.	
Capacitance change	<20% decrease
Internal resistance	<25% increase
Life test At rated voltage and 25°C.	
Capacitance change	≤20% decrease
Internal resistance	≤100% increase
CYCLES	
Cycles - Capacitors cycles between specified voltage and half rated voltage under constant current at 25°C (500,000 cycles)	

Capacitance change	20% decrease
Internal resistance	100% increase
CURRENT	
Leakage current After 72 hours at 25°C. Initial leakage current can be higher.	0.3 mA
Short circuit current (I <sub>sc</sub> ) <b>CAUTION:</b> Current possible with short circuit from U <sub>R</sub> . Do not use as an operating current.	840 A
Maximum continuous current	25 A
Maximum peak current, 1 sec	220 A
CONNECTION	
Terminal	Radial
SIZE	
Dimensions	See drawing
Volume	0.053 L
Mass	63g

## MOUNTING RECOMMENDATIONS

Solder tabs to PCB. See application note for further information and slot spacing recommendations.

## MARKINGS

Parts are marked with the following information: Rated capacitance, rated voltage, product number, name of manufacturer, positive and negative terminal, warning marking, serial number.

## ADDITIONAL TECHNICAL INFORMATION

Capacitance and ESR, DC measured per document no. 1007239, available at [www.maxwell.com](http://www.maxwell.com).

I<sub>c</sub> = leakage current after 72 hours at 25°C

$$I_{sc} \text{ (short circuit current)} = \frac{V_{RATED}}{ESR}$$

R<sub>th</sub> = thermal resistance

$$E_{max} = \frac{\frac{1}{2} CV^2}{3,600 \times mass}$$

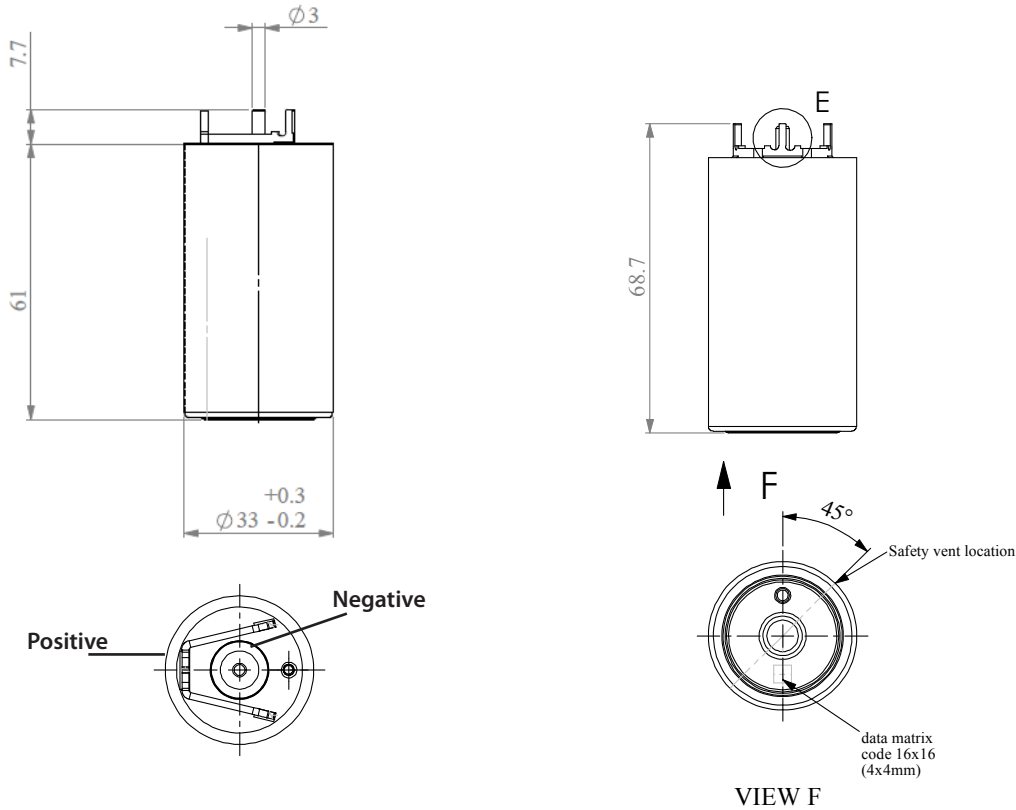
$$P_{max} = \frac{V^2}{4R(1kHz) \times mass}$$

$$P_d = \frac{0.12V^2}{R(DC) \times mass}$$

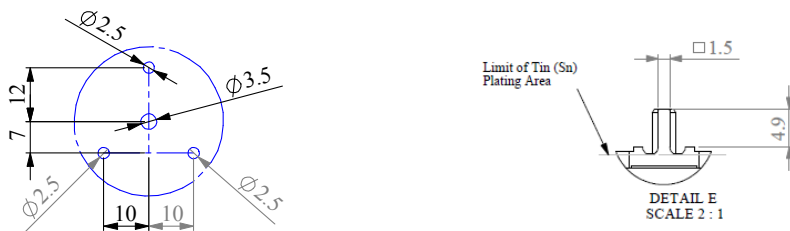


# BCAP0350 E270 T11

## PRODUCT SPECIFICATIONS



### Board drillings



Product dimensions are for reference only unless otherwise identified. Product dimensions and specifications may change without notice. Please contact Maxwell Technologies directly for any technical specifications critical to application.

**Maxwell Technologies, Inc.**  
Worldwide Headquarters  
9244 Balboa Avenue  
San Diego, CA 92123  
USA  
Tel: +1 858 503 3300  
US Free Call: +1 877 511 4324  
Fax: +1 858 503 3301

**Maxwell Technologies SA**  
European Headquarters  
CH-1728 Rossens  
Switzerland  
Tel: +41 (0)26 411 85 00  
Fax: +41 (0)26 411 85 05

**Maxwell Technologies, GmbH**  
Automotive Inquiries  
Brucker Strasse 21  
D-82205 Gilching  
Germany  
T: +49 (0)8105 24 16 10  
F: +49 (0)8105 24 16 19

**Maxwell Technologies, Inc.**  
Shanghai Representative Office  
Rm.2104, Suncome Liauw's Plaza  
738 Shang Cheng Road, Pudong New Area  
Shanghai 200120, P.R. China  
Tel: +86 21 5836 5733  
Fax: +86 21 5836 5620

Online: [www.maxwell.com](http://www.maxwell.com) • Email: [info@maxwell.com](mailto:info@maxwell.com)